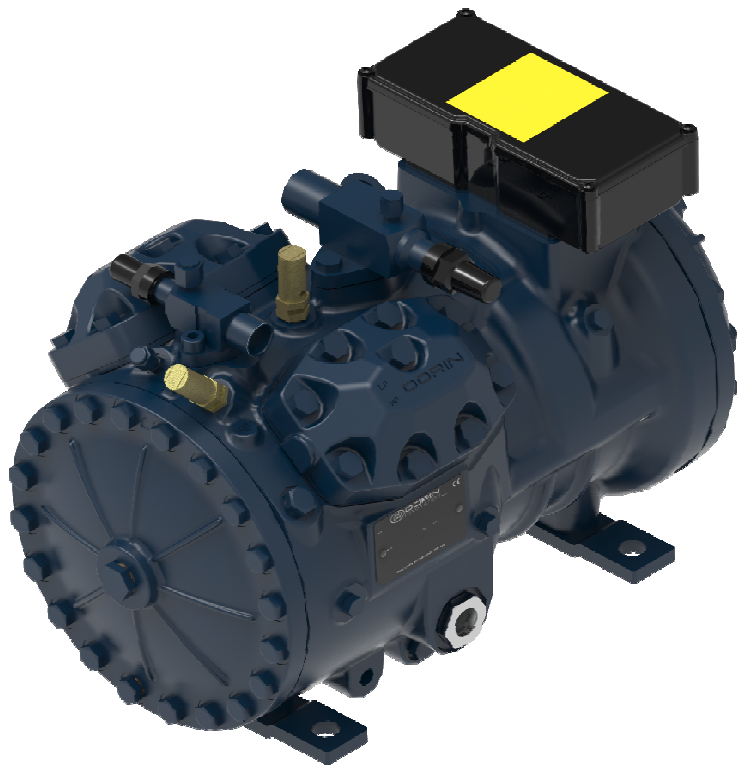




OFFICINE MARIO DORIN SINCE 1918  
**DORIN**<sup>®</sup>  
INNOVATION

**RICAMBI**  
SPARE PARTS

**CDS35**



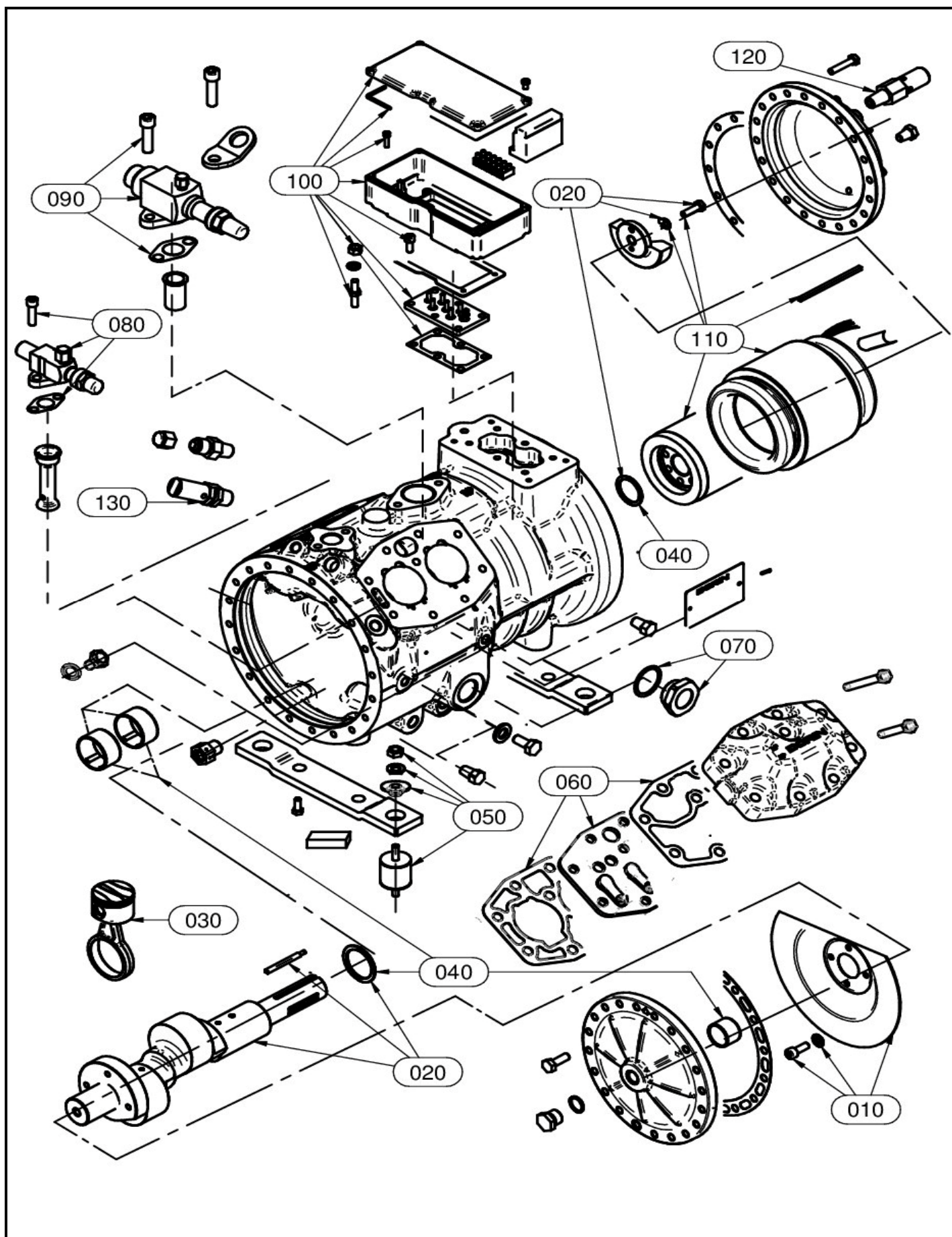
**CO<sub>2</sub> COMPRESSORS FOR SUB-CRITICAL APPLICATIONS**

COMPRESSORI CO<sub>2</sub> PER APPLICAZIONI SUB-CRITICHE



OFFICINE MARIO DORIN SINCE 1918  
**DORIN**  
INNOVATION

M/COMPRESSORE - M/COMPRESSOR  
**CDS 35**  
ESPLOSO COMMERCIALE - COMMERCIAL EXPLODED VIEW





OFFICINE MARIO DORIN SINCE 1918  
**DORIN**  
INNOVATION

M/COMPRESSORE - M/COMPRESSOR  
**CDS 35**



RIF.	QUANTITA'					CODICE CODE	DESCRIZIONE	DESCRIPTION
	CDS501B	CDS701B	CDS751B	CDS901B	CDS1201B			

010	1	1	1	1	1	1MKD038	Disco sbattiolio	Oil centrifugal disk
020	1	-	-	-	-	1MKA295	Albero completo c.22	Complete shaft c.22
020	-	1	1	-	-	1MKA296	Albero completo c.28	Complete shaft c.28
020	-	-	-	1	1	1MKA297	Albero completo c.28	Complete shaft c.28
030	4	-	-	-	-	1MCDB96	Kit biella - pistone D.42	Conn.rod - piston complete D.42
030	-	4	-	-	-	1MCDB97	Kit biella - pistone D.42	Conn.rod - piston complete D.42
030	-	-	4	-	-	1MCDB98	Kit biella - pistone D.46	Conn.rod - piston complete D.46
030	-	-	-	4	-	1MCDB99	Kit biella - pistone D.50	Conn.rod - piston complete D.50
030	-	-	-	-	4	1MCDC01	Kit biella - pistone D.54	Conn.rod - piston complete D.54
040	1	1	1	1	1	1CKJ028	Kit bronzine + rasamento	Bushing + thrust kit
050	1	1	1	1	1	1CC5042	Kit sospensioni completo	Vibration damper kit complete
060	2	2	-	-	-	1PKP055	Piastra valvole completa	Complete valve plate
060	-	-	2	-	-	1PKP056	Piastra valvole completa	Complete valve plate
060	-	-	-	2	-	1PKP057	Piastra valvole completa	Complete valve plate
060	-	-	-	-	2	1PKP058	Piastra valvole completa	Complete valve plate
070	1	1	1	1	1	1CCQ020	Spia olio completa	Oil sight glass
080	1	1	1	-	-	1RKC010	Rubinetto di mandata	Discharge service valve
080	-	-	-	1	1	1RKC011	Rubinetto di mandata	Discharge service valve
090	1	1	1	-	-	1RKA065	Rubinetto aspirazione	Suction service valve
090	-	-	-	1	1	1RKA066	Rubinetto aspirazione	Suction service valve
100	1	1	1	1	1	1RKJ061	Scatola att.el.+piastra	Electrical box and plate
110	1	-	-	-	-	1RKK116	Roto-statore 230/400/3/50 5HP	Stator-rotor230/400/3/50 5HP
110	-	1	1	-	-	1RKK117	Roto-statore 230/400/3/50 7,5HP	Stator-rotor 230/400/3/50 7,5HP
110	-	-	-	1	-	1RKK118	Roto-statore 230/400/3/50 9HP	Stator-rotor 230/400/3/50 9HP
110	-	-	-	-	1	1RKK125	Roto-statore 230/400/3/50 12HP	Stator-rotor 230/400/3/50 12HP
110	1	-	-	-	-	1RKK120	Roto-statore 220/380/3/60 6HP	Stator-rotor 220/380/3/60 6HP
110	-	1	1	-	-	1RKK121	Roto-statore 220/380/3/60 9HP	Stator-rotor 220/380/3/60 9HP
110	-	-	-	1	-	1RKK122	Roto-statore 220/380/3/60 10,8HP	Stator-rotor 220/380/3/60 10,8HP
110	-	-	-	-	1	1RKK126	Roto-statore 220/380/3/60 14,4HP	Stator-rotor 220/380/3/60 14,4HP
120	1	1	1	1	1	2PJ7050	Valvola sicurezza BP 36 BAR	Safety valve LP 36 BAR
130	1	1	1	1	1	2PJ5050	Valvola sicurezza AP 55 BAR	Safety valve HP 55 BAR

**ACCESSORI - ACCESSORIES**

	1	1	-	-	-	1CCM226	Serie completa guarnizioni D.42	Complete gasket set D.42
	-	-	1	-	-	1CCM227	Serie completa guarnizioni D.46	Complete gasket set D.46
	-	-	-	1	-	1CCM228	Serie completa guarnizioni D.50	Complete gasket set D.50
	-	-	-	-	1	1CCM229	Serie completa guarnizioni D.54	Complete gasket set D.54
	2	2	2	2	2	1CCT043	Testa raffreddata ad acqua	Water-cooled head
	1	1	1	1	1	1ACS845	Ventilatore ausiliario	Auxiliary head fan
	1	1	1	1	1	2EG2020	Resistenza carter 220V	Cranckase heater 220V
	1	1	1	1	1	2EG1050	Resistenza carter 110V	Cranckase heater 110V
	1	1	1	1	1	2EG1080	Resistenza carter 24V	Cranckase heater 24V
	1	1	1	1	1	2CC3110	Modulo per termistori	Thermistors module
	1	1	1	1	1	2CG1040	Sensore ottico livello olio	Oil level sensor



OFFICINE MARIO DORIN SINCE 1918

**DORIN**<sup>®</sup>  
INNOVATION

OFFICINE MARIO DORIN S.p.A.  
Via Aretina 388, 50061 Compiobbi - Florence, Italy  
Tel. +39 055 62321 1 - Fax +39 055 62321 380

[dorin@dorin.com](mailto:dorin@dorin.com)  
[www.dorin.com](http://www.dorin.com)